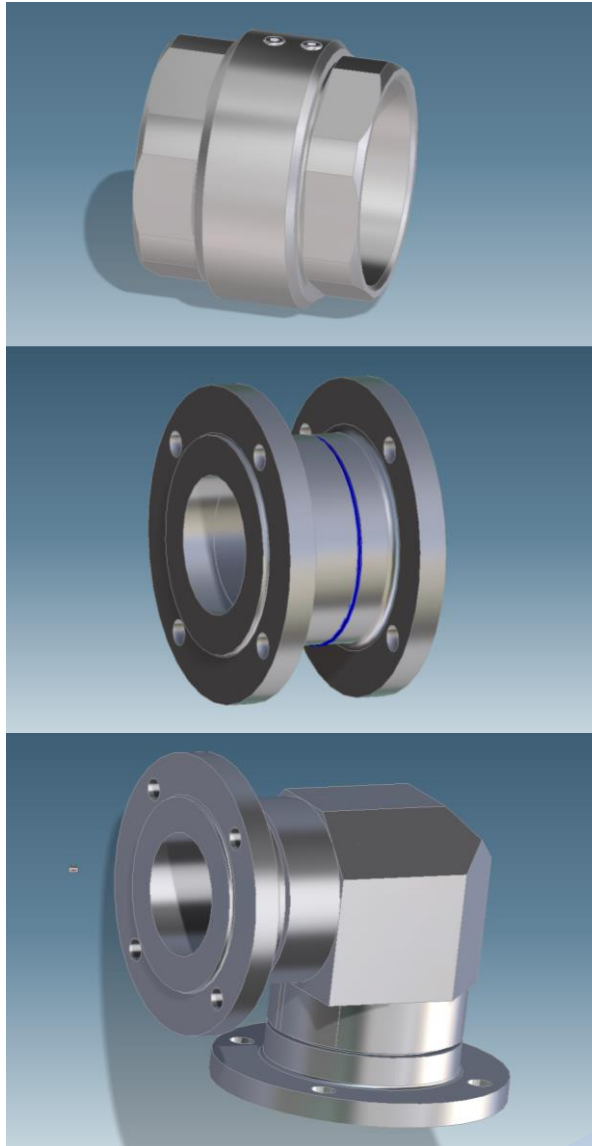


LOW PRESSURE SWIVELS



Innovative technology at work

SIVILINGENØR E J WIIG AS provides state of the art solutions for rotational couplings for both the offshore industry, marine aqua culture and onshore industry.

From aggressive media to food stuff, from cryogenic temperatures to high temperature applications; and from flow-able solids to liquids and gases; we have the solutions!

The swivels are designed for low and medium pressure applications requiring low rotation resistance; as on flexible hoses for transfer of bulk supplies between vessels, between shore and vessel and for general industrial applications.

The swivels incorporates

- high performance and low friction seal rings
- pressure integrity and corrosion resistance by stainless steel material in body parts

The ample capacity bearings provides exceptional low rotation resistance at rated working pressure.

Operating temperature ranges are -20C to +150C

The swivels are available in a variety of end connections, and because of standardized design, any female body can be assembled with any male body to allow different connections at each end of the assembled swivel.

■ **Sivilingenør E.J.Wiig AS**

P. O. Box 106 Skøyen
N-0212 OSLO, NORWAY
Web : www.ejwiig.com
Email: ejwiig@ejwiig.com
Phone: +47 2204 9430