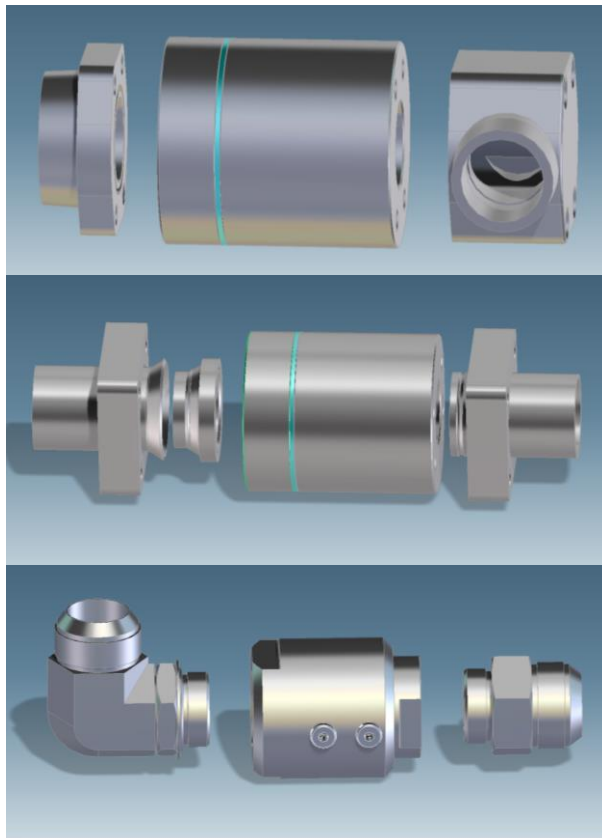


# CARTRIDGE SWIVELS



The cartridge swivels are designed for low and medium pressure applications requiring low rotation resistance at full working pressure.

The swivels incorporates

- high performance and low friction seal rings
- pressure integrity and corrosion resistance by stainless steel material in body parts

The ample capacity bearings with hardened raceways provides exceptional low rotation resistance at rated working pressure.

Operating temperature ranges are -40C to +150C

The swivels consists of standard bodies; using standard hydraulic pipe fittings for connection to the system in question.

The cartridges are available in standard pressure ranges; 210, 350 and 450 bar.

## ***Innovative technology at work***

SIVILINGENØR E J WIIG AS provides state of the art solutions for rotational couplings for both the offshore industry, marine aqua culture and onshore industry.

From aggressive media to food stuff, from cryogenic temperatures to high temperature applications; and from flow-able solids to liquids and gases; we have the solutions!

■ **Sivilingeniør E.J.Wiig AS**

P. O. Box 106 Skøyen  
N-0212 OSLO, NORWAY  
Web : [www.ejwiig.com](http://www.ejwiig.com)  
Email: [ejwiig@ejwiig.com](mailto:ejwiig@ejwiig.com)  
Phone: +47 2204 9430