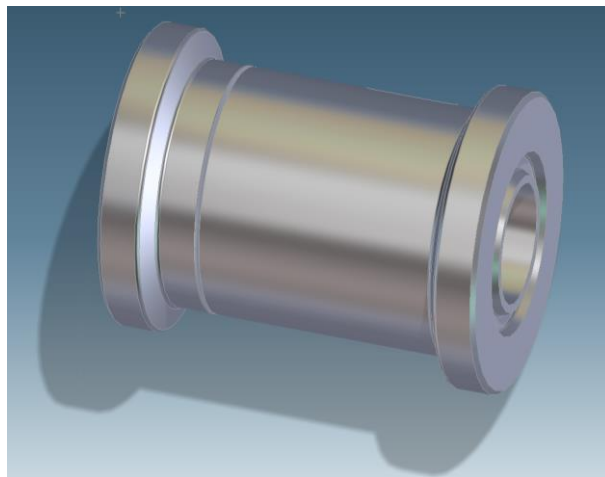


HIGH PRESSURE SWIVELS

API 16A BX and API17D



LINE SIZE	API PRESSURE CLASS					
	2k	3k	5k	10k	15k	20k
2 1/16"	✓	✓	✓	✓	✓	✓
2 9/16"	✓	✓	✓	✓	✓	✓
3 1/16"	✓	✓	✓	✓	✓	✓
4 1/16"	✓	✓	✓	✓	✓	
5 1/8"	✓	✓	✓	✓	✓	
7 1/16"	✓	✓	✓	✓	✓	
9"	✓	✓	✓			

Innovative technology at work

SIVILINGENØR E J WIIG AS provides state of the art solutions for rotational couplings for both the offshore industry, marine aqua culture and onshore industry.

From aggressive media to food stuff, from cryogenic temperatures to high temperature applications; and from flow-able solids to liquids and gases; we have the solutions!

The swivels are designed for service in demanding safety critical systems; as on flexible hoses connections between the Riser Slip Joint and a drilling platform for Kill & Choke, Booster and Hydraulic lines.

The swivels incorporates

- high performance and low friction seal rings
- low friction ball bearings with hardened raceways
- pressure integrity and corrosion resistance by high strength NACE MR-0175 / ISO 15156 compliant stainless steel material in body parts

The ample capacity bearings provides exceptional low rotation resistance at rated working pressure.

Operating temperature ranges are -20C to +150C or +177C

Classification companies type approvals:

ABS : CDS 2006 and CDS 2012

DNV : Drill N

■ **Sivilingeniør E.J.Wiig AS**

P. O. Box 106 Skøyen
N-0212 OSLO, NORWAY
Web : www.ejwiig.com
Email: ejwiig@ejwiig.com
Phone: +47 2204 9430